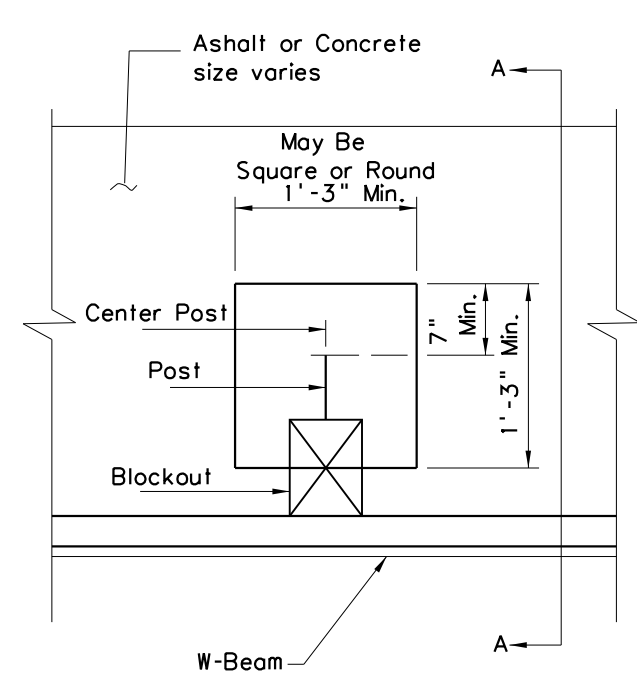
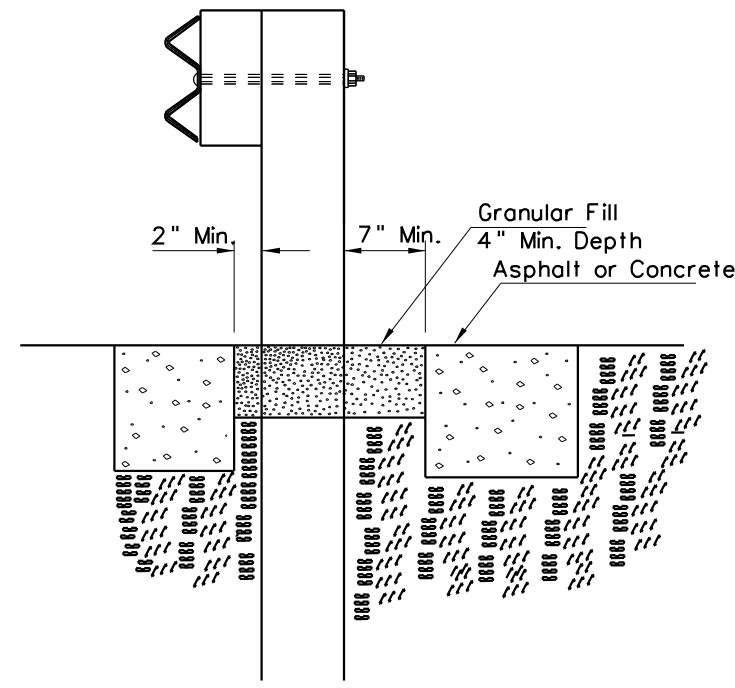


DETAIL FOR 16" BLOCKOUT DEPTH

It is acceptable to use blockouts up to 16" deep to increase the post offset to avoid underground obstacles. There is no limit to the number of posts that can have additional blockouts up to 16" deep.



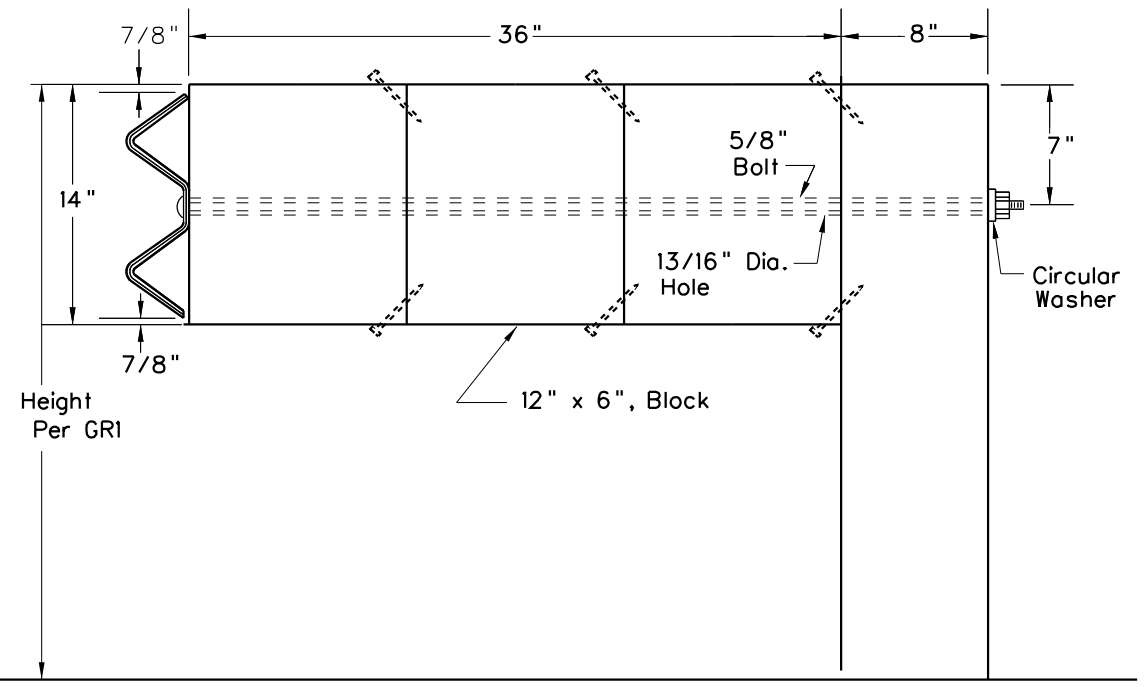
Steel Post Detail



Section A-A

PAVING AROUND POSTS

Notes:
Unless otherwise noted no separate measurement or payment shall be made when details on this sheet are used. The cost associated with using these details shall be included in the appropriate guardrail pay item.



DETAIL FOR 36" BLOCKOUT DEPTH

Under special circumstances, such as avoiding obstacles that are not relocated, it is acceptable to install additional blockouts to obtain up to 36" depth for one or two consecutive posts in a section of guardrail.

Do not use 16" or 36" blockouts if it causes the post to be driven beyond shoulder hinge point or causes a fixed object to be within the deflection distance of the barrier.

- Reduce post spacing to 3'-1 1/2".
- Reduce post spacing to 1'-6 3/4".
- Double nest rail element.
- Any one stiffening method shall not exceed 25' in length.
- Any combination of stiffening methods shall not exceed 50' in length.

METHODS OF REDUCING W-BEAM DEFLECTION

WEST VIRGINIA DEPARTMENT OF TRANSPORTATION
DIVISION OF HIGHWAYS
STANDARD DETAIL

STANDARD DETAIL

PREPARED 3-1-12

REVISION DATE

GUARDRAIL MODIFICATIONS

STANDARD SHEET GR15